

THIS NEWSLETTER IS PUBLISHED BY THE
PORT ELIZABETH AMATEUR RADIO SOCIETY

Web site: pears.8m.com

P.O. BOX 10402
LINTON GRANGE
6015

August 2001

NOTICE OF MEETING

The monthly general meeting of the PORT ELIZABETH AMATEUR RADIO SOCIETY will be held on **Friday 17 August 2001** commencing at 20:00 (8pm) in the Municipal Disaster Management Centre, Westview Drive, Mill Park, Port Elizabeth (Civil Defence Centre).

Minister for Social Affairs Bill Hodges ZS2ABZ is still endeavouring to find someone to give us an interesting talk. If he is successful, details will be given on the bulletin on 12 August.

Tea, coffee and something to chew will be available for a small consideration in the receptacle provided.

Wrinkly Ravers

The next rave will be held on **Thursday, 6 September 2001** at the Maritime Club, 17 Annerley Terrace, Central. This is situated near the *newest* of the Law Courts. For directions, if you're coming from the North, ask Julie. If from the West, ask Trevor. (Only those who attended the July rave will understand this!)

The July rave was again held at the Fish Tales restaurant on the Casino complex, once more with only eight attendees. Nevertheless, a good time was had by all. Although someone asked whether we should suspend the Raves, we were unanimous in keeping it going. Fortunately, the enjoyment is not proportional to the number of attendees.

OUTING TO PORT ALFRED

Remember the **bring-and-braai** at the **Port Alfred Marina** on **Saturday, 22 September**. All hams and their families – *not only PEARS members* – are invited to join in.

All the facilities at the Marina clubhouse will be at our disposal. Hopefully the weather will be good for swimming in the kiddies' pools, while the adults can do their usual thing such as braaiing or nattering. Boat rides around the marina will be available at a nominal fee.

Tie a knot in your calendar now, so that you don't miss out on the fun.

TECHNICAL INTEREST GROUPS

The technical get-togethers at the Clubhouse have seen waning attendances in recent months. Nevertheless, at the July get-together at the Clubhouse, Ken Tremeer ZS2BWB gave a thought-provoking talk on satellite operation which generated so much discussion that the gathering only broke up after 22:00. The talk was also transmitted on the 2m link.

Because of the drop-off in attendance, it has been decided to run the discussions *over the air only* in future. Whereas the physical get-togethers took place once a

month, future discussions will take place on the VHF linked repeater system from 20:30 *every Thursday evening*. The article on Practical Transistor Theory in the centre pages will serve as the basis for discussion of this group during the month ahead.

The **PIC Group** gets together on the link at 20:30 on Mondays.

Periodic breaks are observed during the discussions on the linked repeater system to enable anyone else who wants to make a call on the facility to do so. **Q**



The Vice *Chairman's Chat*

Greetings from the stand-in 2IC. The chairman is gallivanting in the Northern Cape at present, and I humbly took up the challenge to appease our editor with a paragraph or two...!

Beavan and Mel will be glad that they are members of the fraternity of radio amateurs that can maintain communications all the way back home at little or no cost, and with relative ease. I wonder how many travellers into the back and beyond would love to have the convenience of HF radio at their disposal. This is certainly one aspect that cannot be catered for by the GSM network - there is simply no way that a cellular network can cover all the amazing places in this lovely land of ours.

A word of thanks to all those volunteers who assisted with communications in our annual motorsport event recently. Both members and non-members gave unselfishly of their time and talent for the good name of amateur radio. I trust some fun was had by all. With this in mind it was not a difficult move to volunteer our comms experience to the Winterberg Enduro organisers.

In the last two years that I have been involved in the computer time-keeping, it has always been the poor stage timesheet information flow that has caused problems for the organisers. Because our volunteers are so used to passing this sort of detail over the air, it would make life a lot easier to make use of a similar system for this event. So, after many years we will once again be involved in this off-road event. More details at the next general meeting.

Finally, on a more sombre note, spare a thought for those families in our midst that have lost loved ones recently, and more so for those who know they will be doing so very soon too.

God Bless

73,

Chris ZS2AAW

HAMNET / ECARES NEWS

DATES TO REMEMBER

- Hamnet informal net at 09:10 on 10,130 MHz Sundays.
- Hamnet bulletins and nets at 17:00 on 7,070 MHz and 10,130 MHz on Sundays. The latter is the preferred frequency for the East Cape.
- ECARES nets at 20:00 on 52,950 MHz on Wednesdays for those using PRC77 sets or A44 sets. With a bit of luck you will get through with other six metre equipment.

ECARES Draft Constitution

As mentioned in last month's QSX, the time has arrived for us to adopt a formal ECARES constitution. Ken ZS2OC and I have prepared the following draft for consideration by members.

A meeting will be held soon to discuss, alter if necessary, and accept the proposed constitution.

We do not feel the need for a wordy, complicated document for our low-key purposes.


73,

Al Akers ZS2U

Provincial Director

Hamnet East Cape/ECARES

ECARES DRAFT CONSTITUTION

1. The aim of the Service is to assist with communications during major disasters or under circumstances where normal emergency services are not present or are under abnormally high pressure to cope.
2. Membership is open to all radio amateurs.
3. ECARES shall endeavour to cooperate with amateur radio clubs, SA Radio League and Hamnet; also with any other organisation which has similar interests.
4. ECARES shall be governed by a Director, elected by the membership for a three year period from 1st July to 30th June. The Director shall appoint a Deputy Director and they shall in turn appoint Assistant Directors where the need arises. The Deputy Director and Assistant Directors shall serve for the duration of the Director's term of office.
5. The duties of the Directorate shall be to:
 - a. Administer and promote the interests of the Service;
 - b. Encourage and assist members to monitor emergency channels and to participate in activities that improve operating abilities and station efficiency.
 - c. liaise with other emergency services, in particular SATEPSA (South African Telecommunications and Electrical Power Supply Authority). 

FOR SALE ★ WANTED ★ SWOP

FOR SALE

- Icom IC-730 HF Transceiver with operator manuals and circuit diagram, excellent working condition R1800 O.N.O — Gareth Rathbone ZR2GR, Cell 083 311 3164

QUO VADIS AMATEUR RADIO?

Mike Bosch ZS2FM, with the blessing of the SARL President, recently conducted a private investigation into the loss of membership of the SA Radio League. He invited comments from SARL members as well as non-members throughout the Republic and, after receiving a large number of letters from hams in all Divisions but Div. 3, he compiled a comprehensive report.

He furnished a copy to SARL President Hans Potgieter, ZS6ALJ at Hans' request and we understand that this was discussed in great detail at the Council meeting on 28 July.

Membership of the SARL reached a peak in the early 1990's with a total of almost 3300 members. Thereafter, it declined steadily as many amateurs became alienated from the League for one reason or another.

Mike observes that there could be three thousand or more hams out there who are currently lost to the organization. [An article by Laurie Devereux in the July-August 2001 issue of Radio ZS supports my belief, contrary to views expressed by some Councillors, that there are far more licensed hams in SA than that! The 1997 call book reflected about 5800 RSA licences at that time, and some 300 have passed the RAE every year since then—Ed.]

In his report, Mike gave a brief history of amateur radio in South Africa which showed how important it was to have a national body to look after our interests. He then dealt with the more common complaints that turn South African hams away from membership of the SARL.

The following are extracts from his report, paraphrased where necessary to save space. PEARS does not necessarily support the views. Council may decide to publish the report in Radio ZS and will perhaps offer their own responses.

- The most predominant complaint about the SARL is that **THEY DO NOT LISTEN** to any advice from anybody, their reaction is always on the defensive. The image that the League has projected to amateurs is dogmatic, arrogant, possessing superior knowledge and it is often seen as forcing their ideas down the throats of members. It is also claimed that the SARL tried to bulldoze certain repeaters off their legally licensed frequencies in Division 6.

- **Poor Communication** – This is a very

sore point with most amateurs. They complain that SARL Headquarters do not reply to their letters, faxes, e-mail or telephone calls, and Packet Radio is ignored. It was also said that if one is not a member then HQ will not reply to any letters, which is not a good way to attract new members.

- **Subscriptions Too High** – It is a widespread feeling that the subs are too high, since there is no perceived value for money, consequently chasing people away. If the SARL continues on its present path of increasing its subs on an annual basis, then those running it will be the cause of its downfall.

The League should stop squandering money and cut their cloth according to their pocket. Consideration should also be given to spreading payments over a year. Pensioners are particularly hard hit after, in most cases, having supported the SARL faithfully during their working years. The SARL fails to recognize the fact that income in other provinces is generally lower than the average in Gauteng.

- **RADIO ZS** – To many amateurs, RADIO ZS is the only visible reward for being a member of the SARL. They are disappointed with the late arrival of the magazine and would like it to become a monthly journal again. Some have not received their copies for several months and requests to SARL HQ have elicited no action.

- In the early years branch news kept members up to date with what was happening in other divisions.

- Some are not always happy with the content of RADIO ZS, while Afrikaans members would like to see a magazine which does not only appear in English.

Some of the more specific complaints are quoted and/or paraphrased as follows:

- The clubhouse in Johannesburg was vaunted as providing facilities for AGMs, but

AGMs are being 'farmed out' around the country once again.

- A number of amateurs complained about not receiving their copies of RADIO ZS. No reply was ever received from HQ nor did the missing journals arrive.

- The RAE exam is a joke in some locations, where applicants write with an open text book in front of them. A candidate with an E symbol is remoderated and then passed.

- Holders of ZS licences have free QSL bureau facilities, which ZRs are subsidising since very few if any ZR licence holders send or receive QSL cards. It would be simple to sell QSL card stamps as was done years ago.

- Ghost stations with illegal call signs appear on the amateur bands, using equipment sold to them by other amateurs.

- The League's insistence on making use of the Internet and ignoring Packet Radio is another sore point. There are many who cannot afford the monthly fees charged by the Internet service providers nor the cost of excessive phone usage.

- Objection is raised at the reduction of the Morse code test speed from 12 to 5 wpm just to attract new members. A plea is made to restore CW to its former status.

- The so-called "intruder watch" has disappeared and chaos reigns on the 40M as well as the 2M band at times.

- Violations of the amateur radio regulations often occur, when advertisements, religious sermons etc. are transmitted on the amateur bands.

- The Eastern Cape Amateur Radio Emergency Service (ECARES) has 64 members while HAMNET can boast only 8 members in the same area. The SARL should accept non-members who are willing to sacrifice their time to serve HAMNET. After all it is supposed to be an amateur radio service to the public.

- The SARL previously operated by using volunteer workers. The office staff costs, especially, help to inflate subs.

- Writing letters and such never induces a

response of said Headquarters. Measures to improve SARL in short form: Answer every letter or communication; Have someone relay Packet messages to a responsible person, and answer them; Make Radio ZS a monthly one again, and send it-out *before* the events announced therein.

- Die veranderings t.o.v. nuwe herhalerkoppelings en frekwensies wat ingestuur word, word nie aangebring nie. Die nuutste lys van herhalers en die voorgestelde veranderings daarop dui aan dat die inligting nie op datum is nie.

- I have revived my interest in Ham radio, I also rejoined the SARL. I now regret this step. I have yet to find out the advantages of being a member of this group of hams. A large number of hams are on extended ego trips, you only have to listen to the weekly bulletin.

- Possibly if the SARL did not appear to be so dictatorial, more hams would not be so tardy in joining the SARL and also contribute more to our hobby. They needed the new club house like a hole in the head. The subs are exorbitant for what we get.

- I have read from the SARL report that R13 067 was written off due to 'a huge stock loss'. The picture becomes clearer, they couldn't control their stocks or something unaccountable is taking place. I don't see me continuing with my membership because of the unsatisfactory way the League serves the members and the Council appear as though they don't train or control their Management.

- The League is a MUST and has a very big role to play in keeping our hobby going, especially with regard to negotiations with the 'Powers that be', and I think they are doing a good job. However, after last year's CW and Phone contests I wrote on two occasions to ask for the results. To date no reply.

- It was mentioned in a bulletin that the information was available on the "WEB". I, and very many other Hams, do not have that facility, and although we pay our subs we are denied information that is due to us. The same applies to the Electronic Callbook, but it is useless to those who do not have new-fangled "larney" equipment. This I pointed

out to the League, but no response.

- Diegene wat nie aan oudmodiese hoë standaarde voldoen nie, behoort volgens my nie op die amateurfrekwensies nie. Daarmee wil ek sê dat amateurradio wel weer in die RSA kan begin blom, miskien met minder lede wat almal SARL-lede moet wees, as ons sulke hoë standaarde daarstel waarby die chickens (CB) en andere wat die stokperdjie wil buig en verkrag na hulle standaarde, nie bykom nie.

Solank daar kampvegters is vir verlaagte standaarde, solank as wat daar agter tekort aan fondse geskuil word as verskonings waarom dinge nie kan gebeur nie, solank sal amateur radio agteruitgaan! Daarom moet elke amateur verplig word om 'n lid van die SARL te wees alvorens hy sy lisensie mag hernu.

- If a government body, responsible for the provision of vital services to a whole country, can manage to survive well without attending ITU meetings where important developments are discussed and fundamental decisions taken, then so can an amateur body such as the SARL survive without attending meetings of the IARU. The SARL has the right to withhold ratification of any decision of the IARU which is unfavourable to amateurs in South Africa. A footnote to the IARU recommendation or plan is all that is needed – a facility that the SARL has already used!

THE SARL CAN NOT SURVIVE WITHOUT MEMBERS but it CAN survive WITHOUT attending meetings of the IARU. That does not mean that we should NOT EVER attend IARU meetings – simply that, so long as lack of finance is a critical problem, we can NOT afford the luxury of such visits. We simply HAVE to cut our coat according to our cloth if we expect non-members and wavering current members to have any trust in the organization.

- Clubs versus Branches – When the League abandoned the branches for autonomous radio clubs, they shot themselves in the foot. Many members only rejoined the clubs and therefore were lost to the SARL. Maybe the clubs should unite again and re-establish the SARL with a new constitution and help to eliminate the poor decisions that were made by HQ in the past.

If not, then the clubs should try to provide more input and greater representation in the League.

- We should have a Provincial Council for each province consisting of a representative from each club in that province which decides to be affiliated to the League. These Councils will deal with matters relevant to that province. We then have a National Council consisting of a representative from each Provincial Council, which will deal with matters of national and international concern. League activities should be limited to promoting and safeguarding members' interests.

Special interests or projects such as AMSAT, taking amateur radio to schools etc., should be left to groups who wish to promote this and should be financed by them. It is recommended that they liaise with the League.

This restructuring of the League should result in fairer representation of amateurs in general and reduce running costs, hopefully too a significant increase in membership.

- We need to attract non members back to the League in large numbers in order to gain their goodwill and support for positive advancement. This will automatically allow a decrease in subscription fees.

The alternative, i.e. growing dissatisfaction and further loss of membership, would have a devastating effect on the League and Council should take cognizance thereof.

- If the management of the League continues to operate without listening to both members and non-members alike, it will only be a matter of time before one of the clubs will form a new national amateur organization. If it were to offer membership at a realistic price for the hobby, it would not take long to exceed the SARL's membership to become the new voice of amateur radio in South Africa. Should this happen, it will be the death knell of the South African Radio League.

◆◆◆

Concluding his report, Mike thanked all who took the trouble to write and participate in the renaissance initiative. Ω

Antennas (part 4)

BY AL AKERS ZS2U

Two Metre Mobile Antennas

The most suitable antenna to use is a quarter wave ground-plane in the centre of the vehicle roof and here the magnet mount could well be the answer. Maybe you have other ideas on the subject, such as a 5/8 wave gain antenna.

Before you do this, I suggest you read an article by the late Schalk van der Merwe ZS2Y called "Mobile Gain Antennae" which appeared in the February 1992 issue of QSX. This article is well worth a reprint so how about it, Garth? [Will do Al, as soon as space permits – Ed.]

Base Station and Portable Antennas for VHF

The most convenient way to feed a vertical half wave antenna is at the bottom and having the feedline run straight down from the antenna. The feedline is thus completely out of the field of the antenna and will therefore have no antenna currents flowing on it.

The impedance here is several thousand ohms, so some form of matching is required to a 50 ohm feedline.

J Antenna

This old favourite has been around for many years and is shown in Figure 5. A quarter wave line, shorted at the bottom end, exhibits a high impedance at the top end and matches the antenna high impedance.

The feedline is tapped up on the line at a 50 ohm point. Move the tap along the line to obtain the lowest SWR. A good starting point for a two metre antenna is 6 cm from the bottom. Spacing between conductors

of the quarter wave line is not critical, probably between 2 cm and 8 cm.

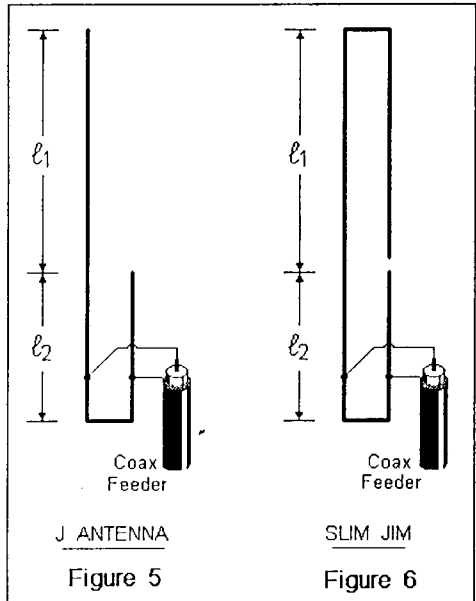
Slim Jim

This is a folded dipole version of the J antenna and is shown in Figure 6.

l_1 for the J antenna and the Slim Jim may be obtained from the formula for a half wave antenna, which is $l = 14\,250 / f$ (Mhz) in centimetres and l_2 from the formula for a quarter wave open wire transmission line, which is $l = 7\,495 / f$ (Mhz) in centimetres.

If a line is used which has insulation other than air, then this figure must be multiplied by the velocity factor of the line.

As with any antenna, only good rf quality insulation/support should be used, especially at high impedance points. Better still, avoid insulation/support at high impedance points. Ⓢ



PRACTICAL TRANSISTOR THEORY

Part 1

By Alan Whitehead ZR2WH

It was decided to include some practical transistor theory as part of the PIC group discussions on the air. These discussions take place on Monday and Thursday evenings from 20h30 to 21h30 on the linked repeater system.

To supplement the discussions some basic theory and circuits will be published in QSX from time to time. These discussions will include NPN, PNP, N channel and P channel J FET's and MOSFET's. The first round will discuss current biasing of the common emitter amplifier.

Starting with a supply potential (voltage) V_s of say 5V:

Step 1:

Decide on the collector current. Do not exceed the maximum collector current I_c for the transistor or the maximum collector power dissipation of the transistor, i.e. $V_s \times I_c =$ collector power. In this example start with $I_c = 1\text{mA}$ which will be safe for most transistors.

Step 2:

Using Ohms law calculate R_4 so that the potential at the collector is half of the supply potential, e.g. $I_c = 1\text{mA}$

$$\text{Therefore } R_4 = 2,5\text{V}/1\text{mA} = 2,5 \text{ k}\Omega$$

Step 3:

Using the β value (from the transistor data sheet) calculate the base current. (β can range from 5 to 400 and is also known as the common emitter current transfer ratio)

e.g. $I_c = 1\text{mA}$; $\beta = 100$

$$\therefore I_b = 0,01\text{mA}$$

Step 4:

Using this value of I_b calculate R_1 so that $V_{R1} = V_s - 0,6\text{V}$ for silicon transistors and $V_{R1} = V_s - 0,2\text{V}$ for germanium transistors.

Assume we are using a silicon transistor therefore:

$$V_{R1} = 5\text{V} - 0,6\text{V} = 4,4\text{V}$$

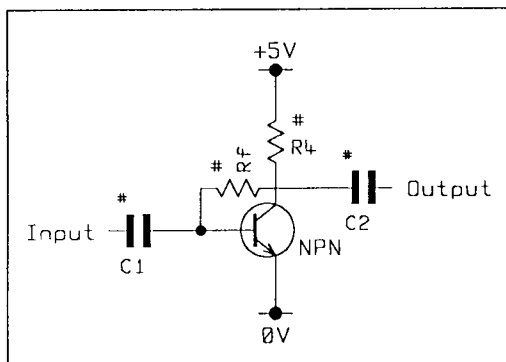
$$\therefore R_1 = 4,4/0,01\text{mA} = 440\text{k}\Omega$$

Step 5:

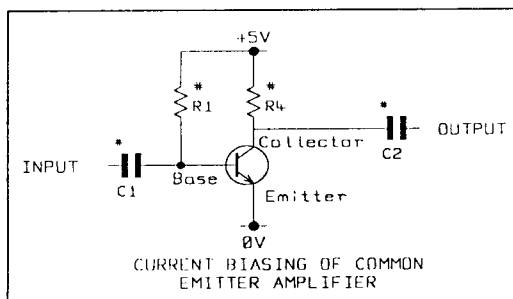
Calculate the voltage gain of this amplifier by using the formula:

$$\text{Gain } (A_v) = (R_4 \times I_c \text{ (in mA)}) / (k \times 26)$$

Where $k = 1$ for germanium and $k = 2$ for silicon transistors.



If the gain is not what is needed, select other values for I_c and R_4 and work




through the steps above again.

The above amplifier is only suitable for small signals. The stability of this amplifier is not good enough to handle temperature changes of more than about 20°C . Feedback as in the adjacent circuit can improve matters regarding stability but will reduce gain.

$$R_f = (V_{\text{collector}} - 0,6\text{V}) / I_b$$

Use 0,2V for germanium transistors.

Next month we will look at potential (voltage) biasing. 

VOLUNTEERS NEEDED FOR ENDURO COMMS

Chris Scarr ZS2AAW has been asked to put together a communications network for the Winterberg International Enduro motorcycle event that will take place on 31 August and 1 September. The course will be in the PPC forest area.

Seven field (fixed) stations and one

base station for results will be needed. There will be no operation on the move such as there is in the VW rally.

If you can assist, please contact Chris right away at tel. 368-1344.

More details of the event will become available as time goes by, so please listen to bulletins.

VW RALLY COMMS ANOTHER SUCCESS

Once again PEARS members excelled themselves with the communications network that we provided for the VW rally last month. Chris ZS2AAW and a couple of helpers did a great job of organising it with little advance knowledge because, for some reason or other, the Rally organisers were late in providing the necessary route information.

This time, ham radio received welcome publicity both from the Public Address van's broadcasts and over the main PA system at the end of the final stage of the rally.

We were also thanked by the Rally organisers at the prize-giving function. The rally could not have worked without our help, they said.

Unfortunately, we did not feature in the long list of thanks that was published in the Herald, but this was apparently placed by the VW publicity people and not by the Rally organisers. We'll have to work on that.

As has been said, we're not looking for thanks – we enjoy our participation – but what we really want is public awareness of the part that ham radio plays, and can play, in emergency situations.

What we *did* get out of it was a nice cheque from Volkswagen to cover

costs, for which we express our gratitude.

Many thanks to all who helped with rally comms and kept the PEARS flag flying.

A fat raspberry to the chap on 7093 kHz whose customary splatter was so bad that we could not use our 7098 HF patch onto the 700 repeater. The facility would have been a great help for one of the stages active at the time. The splatter triggered the link into HF→VHF transmit mode and it had to be abandoned, the rally operators consequently struggling at near-skip distance on HF, splatter and all.

♦ If you have not yet submitted your claim for fuel, please do so not later than the August meeting.

LIBRARY IN NEW FORMAT

For logistical and practical reasons the PEARS library was seldom used. It was scrapped a while ago as a formal feature.

At a suggestion by Neil ZR2NT, it has been decided to purchase certain international amateur radio publications on compact disc. Members who are interested in any articles that appear thereon will be given access to the CD.

Announcements will be made as soon as any CDs have been received.

MINUTES OF THE MONTHLY MEETING OF THE PORT ELIZABETH AMATEUR RADIO SOCIETY HELD AT THE MUNICIPAL DISASTER MANAGEMENT CENTRE, PORT ELIZABETH ON FRIDAY 20 JULY 2001

1. PRESENT AND APOLOGIES

As per the register, and Beavan ZS2RL.

2. WELCOME:

Chris ZS2AAW welcomed all and apologised for the lack of adequate seating.

3. PREVIOUS MINUTES:

It was proposed by Al ZS2U and seconded by Lynn ZS2MM to accept the minutes of the previous meeting as correct

4. FINANCE:

Clive ZS2RT is away abroad but the finances are well.

5. CORRESPONDENCE:

A letter from ZS6BOX expressing appreciation for the PEARS award presented to him for representing us at the SARL council meetings. He offered assistance in attending future council meetings when needed.

6. GENERAL:

6.1 Chris reminded all about the social in Port Alfred on the 22nd September 2001. If the Bathurst bash was anything to measure against it will be a great event and all amateurs and family are welcome.

6.2 Al ZS2U enquired if Ken ZS2OC wrote a letter to PEARS relating to the rally coms. as Ken monitored the event and was very impressed with the way in which the communications were handled. ZS5VO portable 6 also monitored and passed on congratulations. (Well done all and THANK YOU VERY MUCH!!)

6.3 Neil ZR2NT suggested that PEARS revive the library but in a different format. In place of normal books, handbooks on CD are acquired and then a search facility be offered to members. Viv ZS2VM also suggested that we get the

annual edition of QST on a CD. The suggestion was generally welcomed and Neil will investigate.

6.4 Al ZS2U reported that Mike ZS2FM passed the report on SARL membership to Hans Potgieter who copied it to all councillors for discussion at the next council meeting.

6.5 VW RALLY: Chris reported that Joe Fourie was very happy with the coms during the rally. Joe also commented that they would not be able to have a successful rally without the assistance of the radio amateurs. Lynn ZS2MM and Bill ZS2ABZ reported that Joe thanked all the amateurs for their assistance.

Several items relating to the rally were discussed and suggestions were made where operations can be improved. Lionel ZS2DD congratulated Lyle Laaks ZR2LL as a first time young operator as he did well and Chris ZS2AAW also congratulated Mike ZR2M for doing well as a first time mobile operator. The overall impression was that the rally went well and all participants enjoyed it.

Chris ZS2AAW thanked all the amateurs who assisted with the rally communications.

6.6 Viv ZS2VM reminded all about the technical evening on Monday during which Ken ZS2BWB will give a talk on operating via satellites and Lionel ZS2DD and André ZS2ACP will also be available for technical questions.

The meeting closed at 20h45. Coffee and biscuits were enjoyed after which most interesting videos of the rally as well as views from the space shuttle were screened. 📺



PEARStalk

SARL 10 MHZ SSB PROPOSAL REJECTED

A working group of the IARU HF Committee recently rejected a proposal by the SARL that sought to amend the current footnote to the IARU HF band plan to allow SSB operation on 10 MHz on a 24 hour basis. The meeting was attended by 12 member societies, mainly from Europe.

The current footnote observes that countries south of the Sahara intend to use the band on SSB during daylight hours only.

The SARL HF Manager will try to gain support for the SARL proposal when it is tabled at the IARU Region 1 Conference in 2002. His efforts will need to include data on propagation conditions on 10MHz and expected band usage. SA hams are invited to assist Dennis Green by furnishing details of their experiences on 10MHz. Email comments to zs4bs@netactive.co.za or by fax to 051 402 1764. Dennis can also be contacted on 082 770 9126.

US OPS WANT ZS QSOS

Bill Fairbanks, a member of K4FAU, the Amateur Radio Club of Florida Atlantic University in Boca Raton, Florida, USA, says a number of their members were discussing how few contacts they make with stations on the continent of Africa.

He suggested the use of the internet to link up with another University Club or similar organization to discuss the establishment of a QSO schedule. They have an excellent HF station and many have home stations as well.

He would like to hear from any organization that may be interested in communicating with their club. His contact info is:

Bill Fairbanks, KG4GXS
Member: K4FAU Amateur Radio Club
Florida Atlantic University
Boca Raton, Florida USA.

NATIONAL HAMNET DIRECTOR APPOINTED

The Hamnet restructuring committee has completed its task and tabled a report at the recent SARL Council meeting. Francois Botha ZS6BUU was appointed as the National Director supported by a team of Rudie Venter ZS6DX, Kattie Venter ZS6KVR, Martin Harper ZS5VO, Jan Schubart ZS6ARV and Leslie Davis ZS6AKI.

Francois was also co-opted to Council in the HAMNET portfolio.

In the Eastern Cape the team has not changed: Al Akers ZS2U and Ken Victor ZS2OC.

Although Council has accepted the report of the HAMNET restructuring committee, no information about what the restructuring entails seems to have been published.

♦ Is there any chance that they have also accepted non-members of the League into Hamnet?

♦ The 80 metre band emergency frequency has been changed to 3 700 kHz. Hopefully Hamnet has discussed this with the AM group who have used this frequency nightly for many years testing music transmissions.

REGULAR FEATURES IN RADIO ZS

The editor of Radio ZS, Fritz Sutherland says that, from comments received from readers, it seems that the regular "Club News" feature in Radio ZS in years gone by was popular and readers would like to see it revived.

As the editorial staff of Radio ZS numbers exactly one, this is not something that he can tackle without your help. He does go through club newsletters that he receives but does not have the time to search through each one for relevant news and write it up himself.

Any volunteers out there to send in

club news from PEARS?

SARL HF PHONE AND CW CONTESTS

The SARL's two premier operating events are just around the corner as we go to press. It is too late to remind you about the Phone contest, which is run on the first Sunday of August, but there is time for you to brush up, if necessary, for the CW contest on 26 August.

The contest runs from 15:00 to 18:00 SAST on the 80, 40 and 20 metre bands. Who is going to support it and perhaps even represent PEARS with the ZS2PE call sign?

As the League says, the contests provide an excellent opportunity to hone your operating skills and to renew old acquaintances, and also an excellent excuse for you to make those station improvements you've been thinking about.

All hams in Southern Africa may participate.

NEW REGULATIONS ON THE WAY

The revised radio regulations, including a reduction in the required Morse code speed to 5 words per minute and the new learner's licence, are now with the Department of Communication for approval and signature by the Minister.

The SARL has worked closely with ICASA to overcome an impasse between the legal department of ICASA and the Department of Communications regarding wording. Councillors assisted with the rewriting of the problem sections. During this process the question of the Morse code speed was re-addressed as, in line with world trends, no separate licences for 12 wpm and 5 wpm are required, says the SARL.

Once promulgated, there will be only one full HF licence with the ZS call sign allocation. There will no longer be a need for a ZT licence.

◆ Since, to the best of our knowledge, CEPT has not yet reduced its speed requirement, presumably the 5 wpm ZS licence will be regarded as a *restricted* one in countries signatory to the CEPT agreement.

I wonder how they will be able to differentiate between 12 wpm and 5 wpm licences with the same ZS prefix since it is understood to be no longer necessary to apply to operate in the CEPT countries.

COUNCIL AND AGM MINUTES ON THE WEB

SARL members can now read Council and AGM minutes on the members only section of the SARL Web.

Council minutes up to February 2001 and those of the 2001 AGM and the President's report are available and the newer minutes are being added. The data is in PDF format. If you don't have a PDF reader you can download it free from the SARL web.

◆ Publishing the minutes on the web came from a proposal by PE at the 2001 SARL AGM. Who said the League doesn't listen?

INTERNATIONAL LIGHTHOUSE, LIGHTSHIP WEEKEND

This annual event takes place from 0001 UTC on Saturday 18 August until 2359 on Sunday 19 August. The modes of operations are CW and Phone in the 80, 40, 20, 15 and 10 metre bands.

Several South African stations will be in operation, so look out for them and give them a contact. They sign with [call sign]/L.

APRS CATCHING ON IN EC

APRS, or automatic position reporting system, seems to be growing in popularity in the Eastern Cape. Four or five stations are often heard discussing the reports that they are receiving from the system.

Chris Scarr ZS2AAW has scanned street maps of Port Elizabeth on disk that can be used with APRS and is happy to make them available to anyone who can make use of them.

MEMBER LIST

Due to unforeseen difficulties the list of members that we hoped to furnish this month will have to stand over to next month – sorry! — Ed.

Condolences – We learned with regret of the passing of Treyor Scarr ZS2AE's brother in Alexandria on 9 July, also Cedric Boast ZU1ABP of Port Alfred on 18 July, and Roly Nash, a former social member of the Port Elizabeth Branch, a little later in the month. Then Bill Foot ZS1AAW of George passed away on 3 August. Cedric, incidentally, was 70 when he wrote the RAE.

We extend our condolences to the respective families and friends.

Congratulations...

on your birthdays:

August

- 19 Maureen von Rahden XYL of ZS6LP
- 21 Martie Borello XYL of ZR2RB
- 24 Graham Griggs ZS2ABK
- 26 Vic Plumridge ZS2VP

September

- 2 Mel Gwilt XYL of ZS2RL
- 6 Gerhard Baum ZS2UM
- 7 Merle Thomas ZR2MP
- 7 Liz Lubbe XYL of ZS2AEG
- 8 Phil Hopper ZS2PP
- 9 Jack Koen ZR1JAC
- 10 Belinda Herselman ZR2CH
- 11 Joan Bowes XYL of ZS2QN
- 11 Jane Fife XYL of ZS2RT
- 12 Pam Hopper ZU1PAM
- 12 Jo Akers ZS2W
- 13 Ken Corlett ZS2KMC
- 13 Dick Schönborn ZS2RS
- 15 Hanni Baum ZR2JB
- 19 Roger Davis ZS1J
- 20 Albrecht van der Merwe ZS2JC
- 20 Martie van den Berg XYL of ZS2VV
- 22 André Mulder ZR2A

on your anniversaries:

August

- 20 Ria & Paul de Vos ZS2ABY
- 31 Jean & Phil Kauffmann-Sorensen ZS2NP

September

- 2 Joan ZR2ABA & Allan Bowles ZS2BO

- 3 Yvonne & Chum Rhodes ZS2VU
- 12 Rosemary ZR2RR & Colin Robertson ZS2CR
- 13 Rosemary & Ossie Osborne ZS1KP
- 17 Beryl & Bryan Haefele ZS2BH
- 22 Anne ZR2ABC & Vic Olivier ZS2SZ



Sick List: Bryan Haefele ZS2BH fell at home, was checked out at hospital but fortunately no serious injury was found and he was allowed to go home.

Moving: Shaunna & Gary Laaks ZR2ABU have bought a property in Lorraine and will be moving in at the end of August. Some QRM for Viv just up the road. Or vice versa.

Back Home: Treasurer Clive ZS2RT and Jane back from their visit to the UK, while June and Mike Jones ZS2JJ/MJ have returned from bonny Scotland after visiting their wee grandchild and all.

Maybe Mel and Beavan ZS2RL will be back from the Richtersveld and wilds of the Kalahari by now, but apparently just long enough to wash and iron their togs before they buzz off for another trip at the end of August.

Man! *That's* the life! 📺

Your Society's Committee

Chairman, Awards.....	Beavan Gwilt ZS2RI.	360-6968
Vice Chairman, repeaters, packet.....	Chris Scarr ZS2AAW	368-1344
Secretary	Neil Thomas ZR2NT	372-1969
Treasurer; Assets Control.....	Clive Fife ZS2RI	367-3203
Social, Refreshments.....	Bill Hodges ZS2ABZ	581-2580
QSX Editor	Garth Laaks ZS2IHB	368-1101
e-mail the Editor at.....	glaaks@iafrica.com	
QSX distribution (ex committee)	Trevor Scarr ZS2AE	367-1746
Technical Classes, RAE.....	Greg Maynard ZS2RE	581-0991
Special Events.....	Ewalt Bouwer ZS2EHB	933-3482
Youth Affairs	Greg Maynard ZS2RE	581-0991

PEARS' VHF/UHF & Other Services

REPEATERS

Town VHF	# 145,050/650	
Town UHF	# 431,050/438,650	Knysna
Cockscomb	145,000/600	Lady's Slipper
Colesberg	* 431,075/438,675	Noupoort.....
Cradock	* 145,050/650	Uitenhage.....
Grahamstown	* 145,150/750	

* These form PE's long-range 2-metre repeater system, also linked to which are East London 145,775 MHz repeater, George 145,700, Danabaai 145,600, Stilbaai 145,750, Butterworth 145,725, King Williams Town 145,625 and Umtata (438,725 duplex). It is further extendable to Cape Town via the WCRWG system. # These can also be linked as required.

OTHER SERVICES

Packet Bulletin Board (ZSONTP)	144,625
Packet Rose Switch ZSOGIT-3,046101 (144,675 in/out) or 046102 (UHF out to BBS).....	144,675
2m Beacon (ZS2VHF CW ID, FSK) (horizontally polarized, 160W ERP).....	144,415
6m Beacon (ZS2SIX CW ID) (horizontally polarized, 25W ERP).....	50,005
6m Simplex Link with Lady's Slipper 2m Repeater (vertically polarized).....	51,400
Wefax Relay (Meteosat).....	145,350

Sunday Bulletins

PEARS bulletins are transmitted on Sundays immediately after the SARL English transmission, i.e. at about 08:45, on 7098 kHz as well as the 2 metre linked network that provides coverage from East London to George as well as Cradock and environs. PEARS' 7098 or 3640 kHz transceive facilities are also remotely linked as needed. In addition, the SARL's 40m operations on 7082 or 7066 kHz or Hamnet's 7070 kHz can be remotely patched into the 2m network, in receive-only mode or with full transceive capability for interactive events.

Date	Prepare and Read on 2m Repeater link
12 Aug	ZS2RE
19	ZS2EHB
26	ZS2ABZ
2 Sept	ZS2RI.
9	ZS2AAW
16	ZR2NT
23	ZS2HB

<u>DIARY DATES</u>
<u>AUGUST</u>
17 PEARS Monthly meeting
18-19 Internatl Lighthouse stations
31-1 Sept Enduro racing PPC Forest
<u>SEPTEMBER</u>
6 Wrinkly Rave
15/16 SARL VHF/UHF contest

* We Like Being Your Society! *